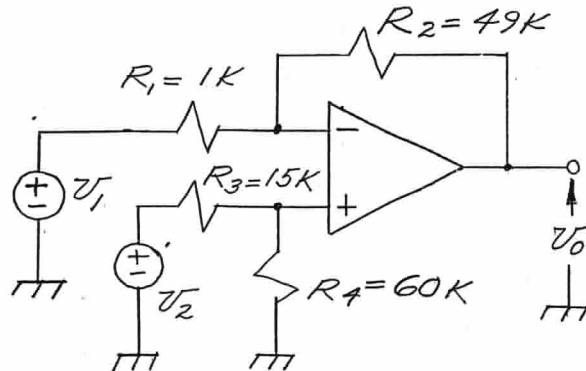


(10pts)

1. In the circuit below, assume an ideal op-amp and determine the output voltage, v_o if $v_1 = 0.1\text{ V}$ and $v_2 = 0.2\text{ V}$. (Hint: use superposition)



$v_o =$ _____